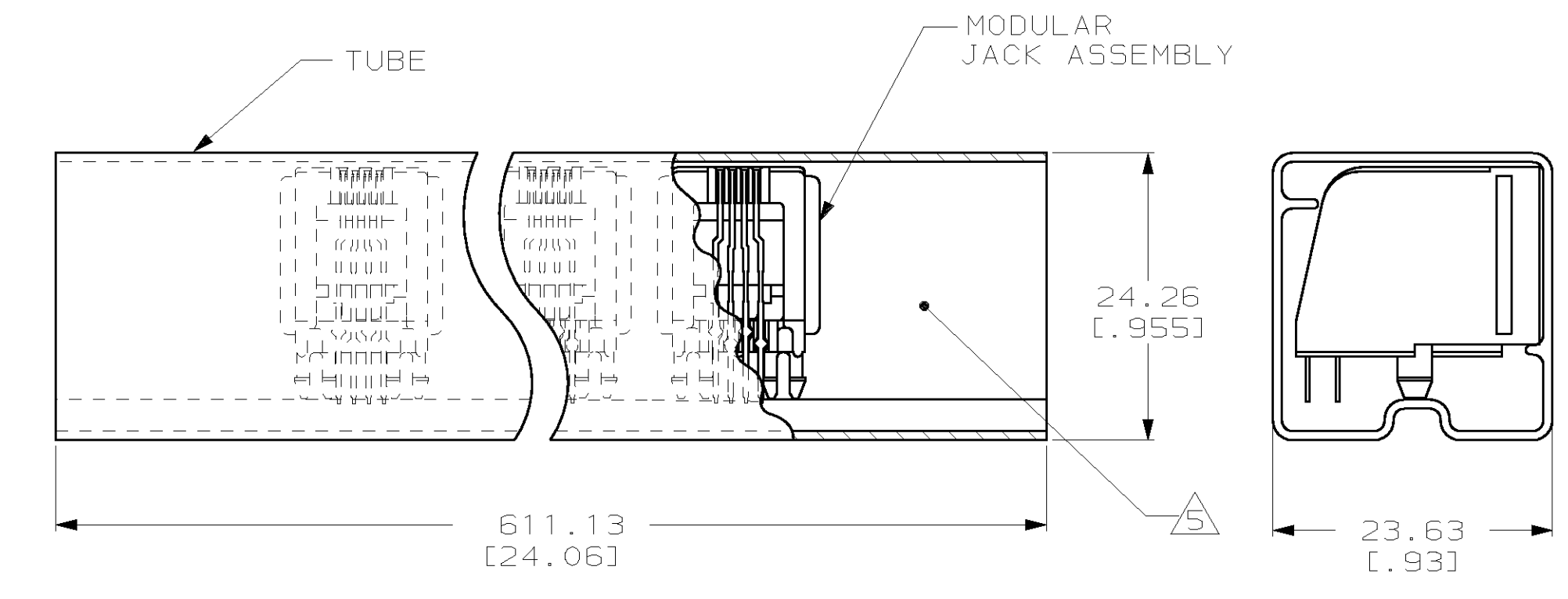
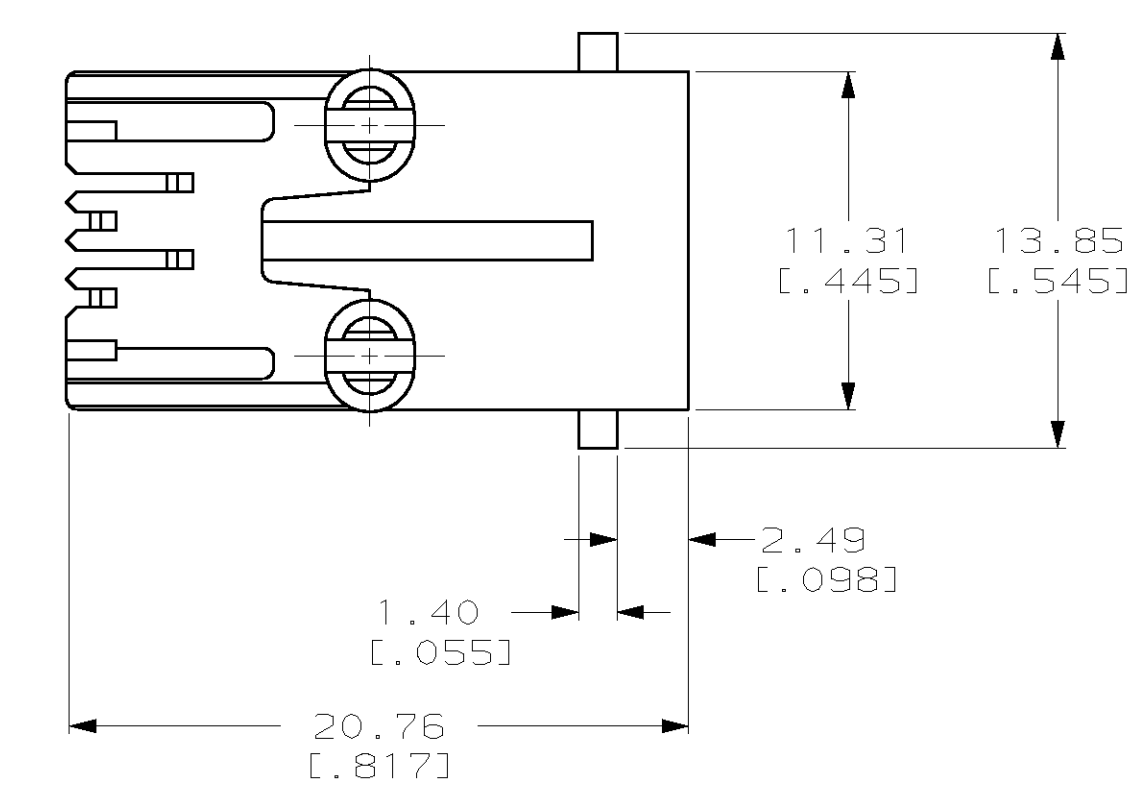
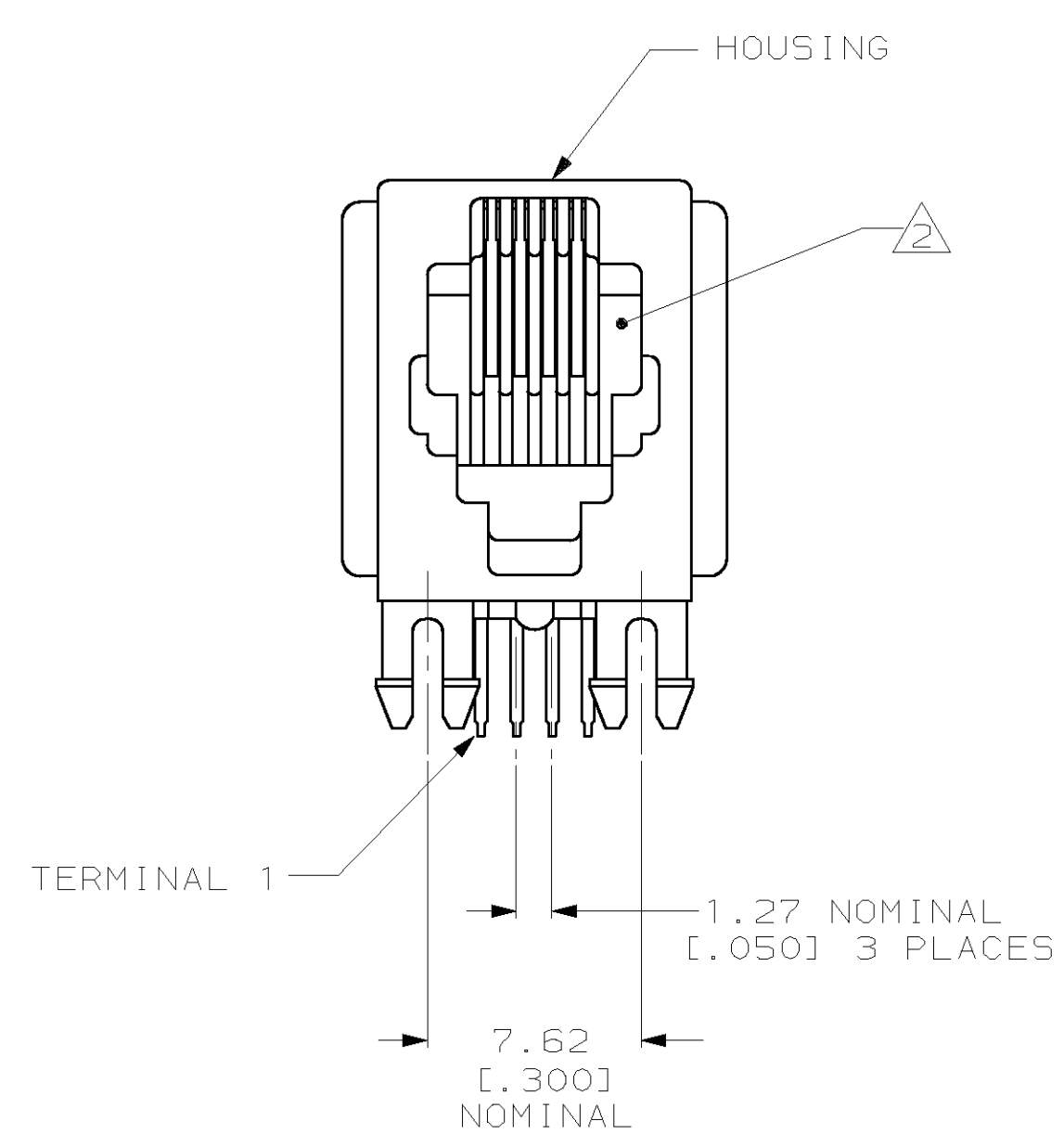
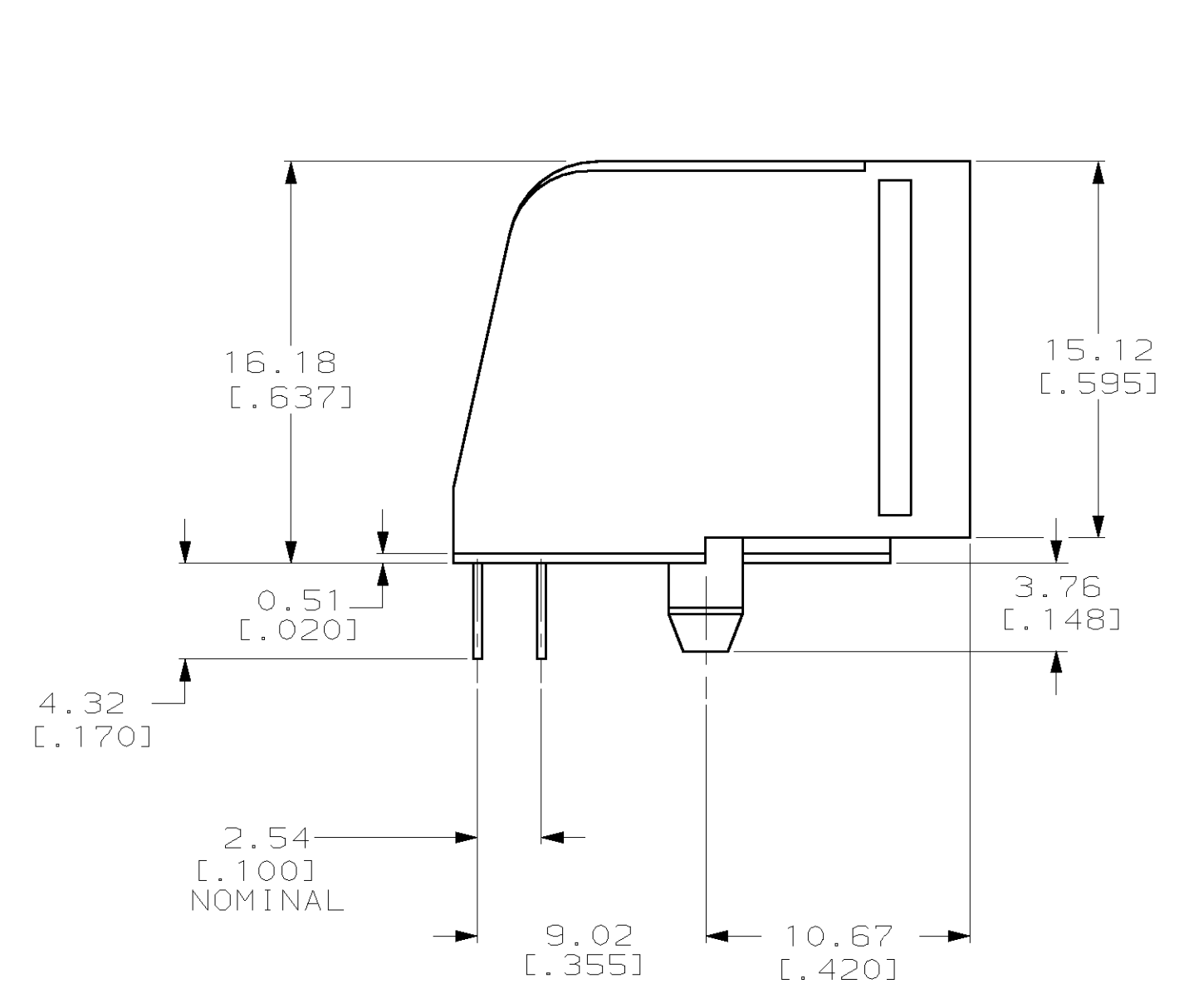
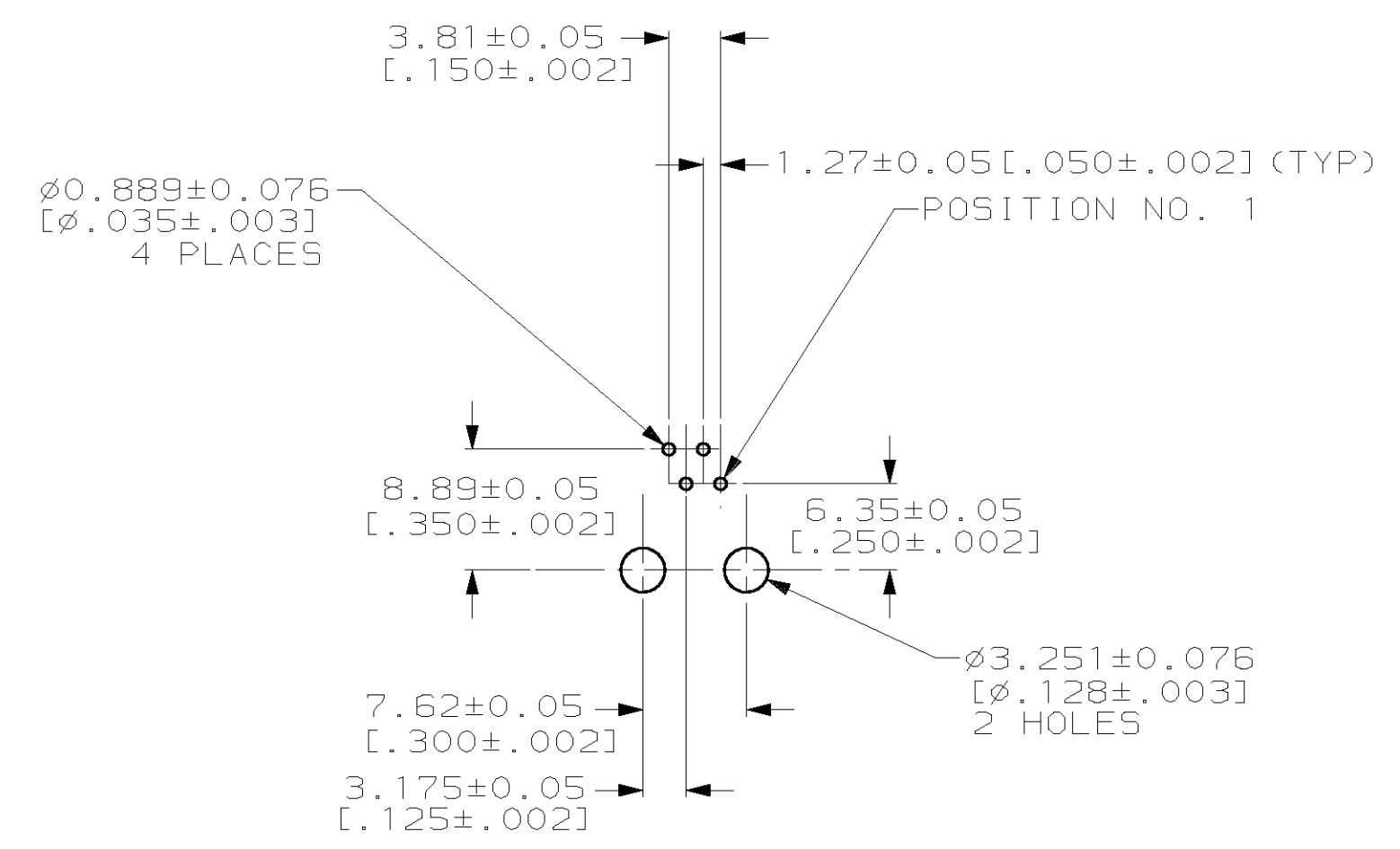


LOC	DIST	REV	DESCRIPTION	DATE	OWN	APVD
AA	22	S	SUPERSEDED: -3 & -4; EC OUF0-0006-01	20SEP01	DL	LLV

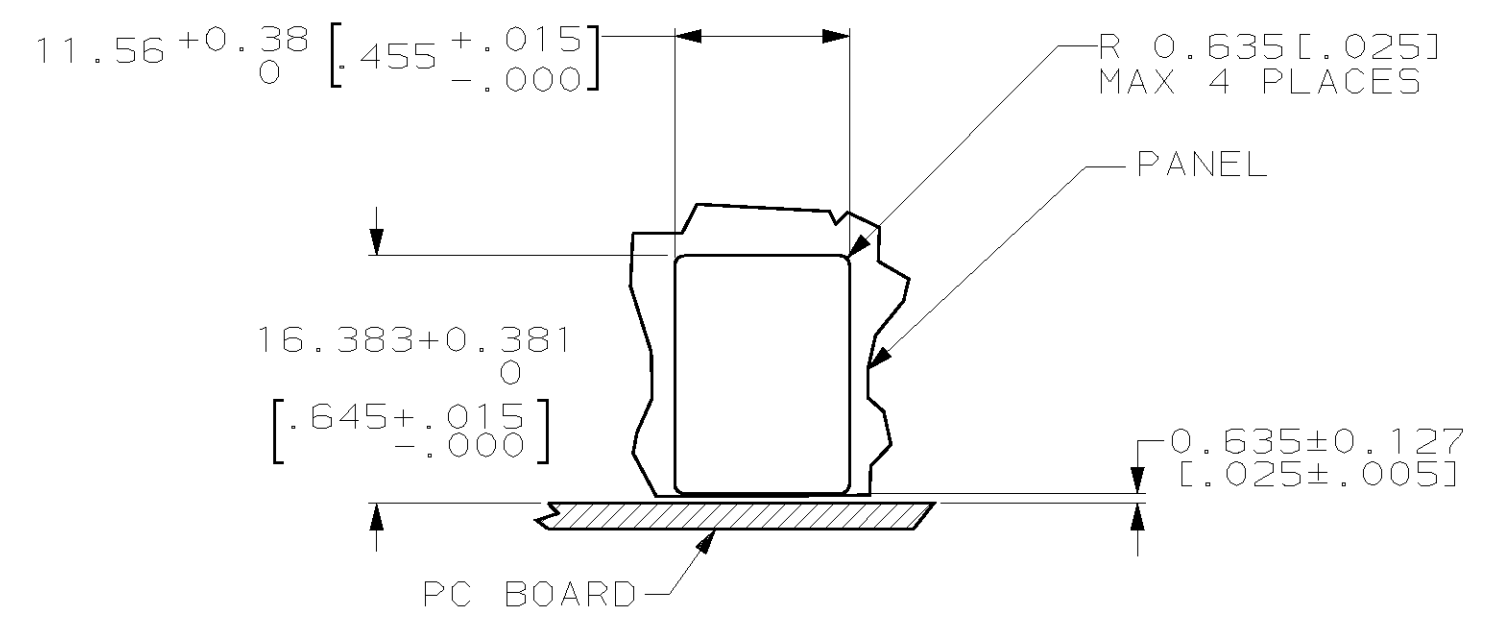
- 1 MATERIAL: HOUSING - POLYESTER, SEE TABLE FOR COLOR.  
 TERMINAL - 0.35[.0138] THICK PHOS-BRONZE PLATED WITH 1.27µm [.000050] THICK HARD GOLD IN LOCALIZED GOLD PLATE AREA AND 2.03µm [.000080] THICK TIN LEAD IN SOLDER AREA OVER 1.27µm [.000050] THICK NICKEL UNDERPLATE.
- 2 CAVITY CONFORMS TO FCC RULES AND REGULATIONS PART 68 AND REA BULLETIN 345-81 PE 76 SPECIFICATION FOR MODULAR TELEPHONE HARDWARE.
- 3 DIMENSION ARE MAXIMUM UNLESS OTHERWISE SPECIFIED.
- 4 BULK PACKAGED IN A TRAY.
- 5 PACKAGED 42 ASSEMBLIES PER TUBE WITH BOTH ENDS CLOSED, SEE DETAIL "A".
- 6 VIEW SHOWN IS CIRCUIT SIDE (NON-COMPONENT) SIDE OF BOARD.



DETAIL A  
 SCALE 2:1



SUGGESTED PRINTED  
 CIRCUIT BOARD LAYOUT  
 SCALE 2:1



SUGGESTED PANEL CUTOUT  
 SCALE 2:1

REVISION	DESCRIPTION	DATE	BY	CHKD
1	BLACK	4		520249-4
2	DEC GRAY	4		520249-3
3	BLACK	4		520249-2

SUPERSEDED BY 520249-2		PACKAGED	COLOR	CONTACTS	PART NUMBER
SUPERSEDED BY 520249-2					

DIMENSIONS mm [INCHES]		TOLERANCES UNLESS OTHERWISE SPECIFIED.	
0 PLC	±	3	
1 PLC	±	3	
2 PLC	±	3	
3 PLC	±	3	
4 PLC	±	3	
ANGLES	±		
FINISH	±		

DWN	M. MAGE	3-27-84
CHK	T. CANTY	9-25-84
APVD	L. WOLFF	10-4-84

AMP Incorporated Harrisburg, PA 17105-3608	
PRODUCT SPEC 108-2024	NAME PRINTED CIRCUIT BOARD MODULAR JACK ASSEMBLY, SIDE ENTRY, 4 POSITION, FLANGELESS, WITH PANEL STOPS
APPLICATION SPEC 114-2048	SIZE A1
WEIGHT -	CAGE CODE 00779
CUSTOMER DRAWING	DRAWING NO C-520249